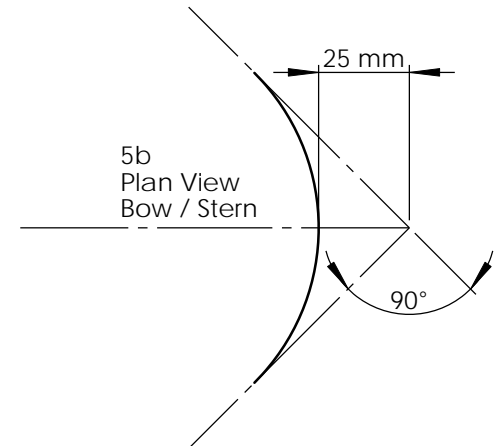
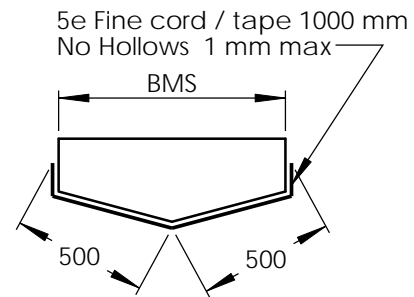
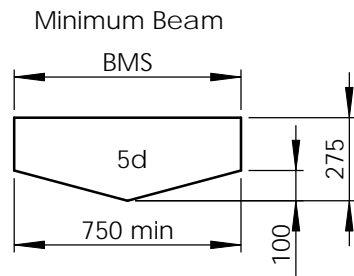
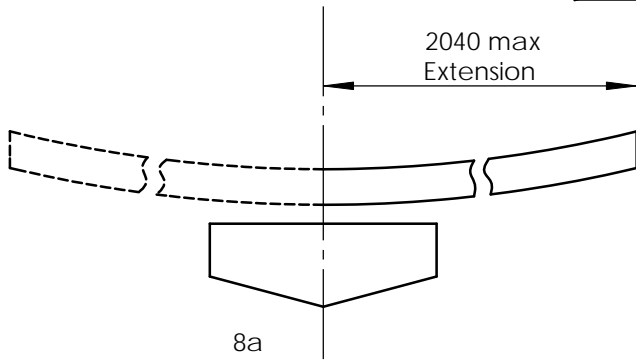
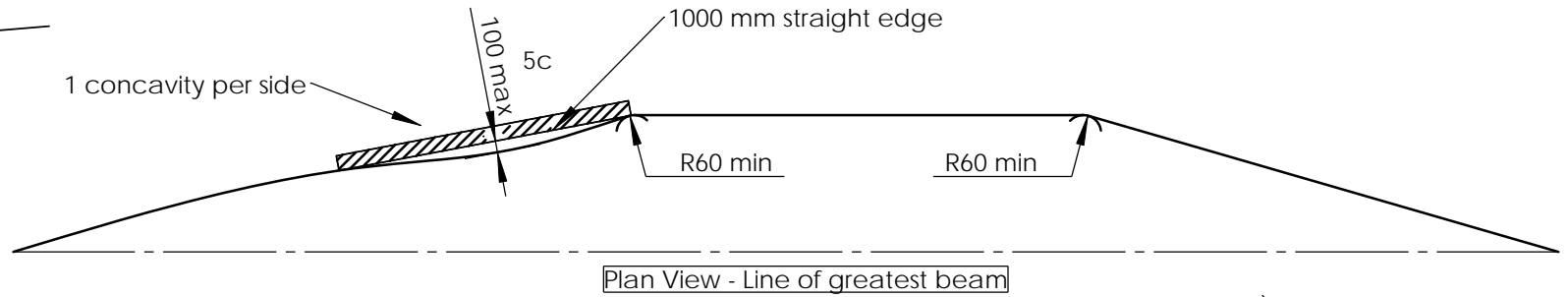
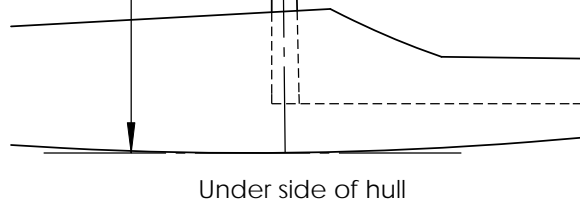
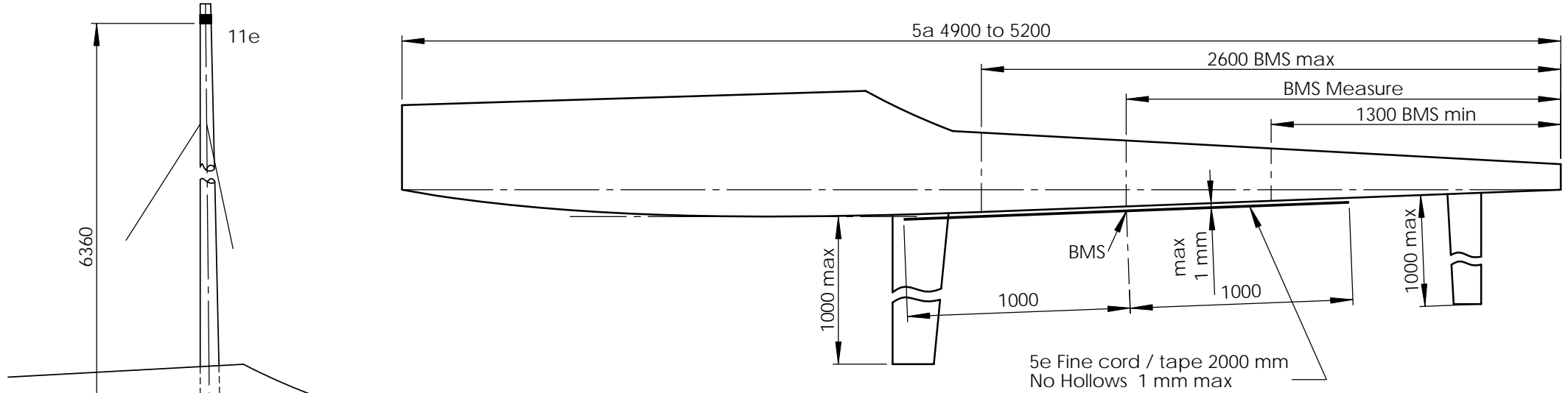


All Dimensions in mm

## International Canoe Class - Measurement Form 2.



Buoyancy Declaration by owner:  
I certify that the buoyancy built in to

GBR \_\_\_\_\_ is in accordance with class rules. Signed: \_\_\_\_\_